

professional streetlight luminaire for LED light sources

TECHNICAL DATA

Mounting: on pillar, on outriggers
Body: high pressure die-cast aluminum
Lateral Surface Wind Exposed: 0.039 m²
Colour: gray

ELECTRICAL DATA

Diffuser: tempered glass
Power supply efficiency: >95%
Electrical connection: max 3x2,5 mm² / 2x2,5 mm² wire
Power: 220-240V 50/60Hz
Includes light source: yes

OPTICAL DATA

Type of equipment: ED
Way of lighting: direct
Type of optic: O2 - for express roads, O3 - for local roads, O4 - for town roads, O5 - for residential area roads, O6 - for pedestrian crossings, O7 - for area lighting

ADDITIONAL INFO

Available on request: DALI, DIM 1..10V, LLOC, twilight sensor, knife switch, 10kV surge protection, NTC

GENERAL DATA

Operating temperature range: -35° C ... +45° C
Other remarks: mounting on pillars or outriggers with a diameter of 42-60mm
Lifetime (L80B10): 80 000 h
Lifetime (TM21 L90B10): 60 000 h
Warranty: 3 years + 2 years after project registration
Application: roads, metro, parking areas, industrial facilities



Code	Power LED [W]	Luminaire power [W]	Lumen LED [lm]	Lumen luminaire [lm]	Efficacy [lm/W]	Colour temperature [K]	CRI/Ra
130222.5L01X.0X1	25	28	3150	2850	102	4000	>70
130222.5L02X.0X1	25	28	3350	3050	109	5700	>70
130222.5L13X.0X1	34	37	4150	3740	101	4000	>70
130222.5L14X.0X1	34	37	4450	4050	109	5700	>70
130222.5L04X.0X1	50	55	6250	5650	103	4000	>70
130222.5L05X.0X1	50	55	6650	6000	109	5700	>70
130222.5L07X.0X1	76	84	9350	8450	101	4000	>70
130222.5L08X.0X1	76	84	10000	9000	107	5700	>70
130222.5L10X.0X1	100	110	12500	11250	102	4000	>70
130222.5L11X.0X1	100	110	13300	12000	109	5700	>70

130222.5L01 .0 1

Type of optic

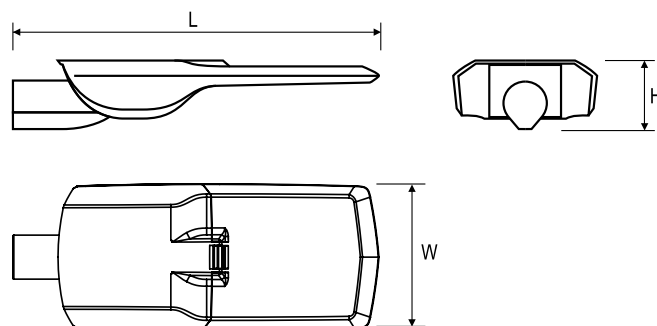
- 1 O2 - for express roads
- 2 O3 - for local roads
- 3 O4 - for town roads
- 4 O5 - for residential area roads
- 5 O6 - for pedestrian crossings
- 6 O7 - for area lighting

Protection Class

- 1 I
- 2 II

Luminous flux tolerance +/- 10%.

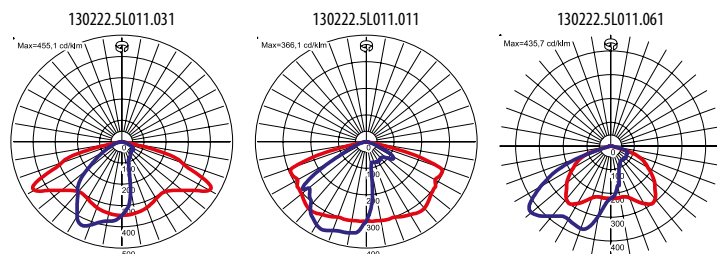
Code	Dimensions [mm] L W H	Pallet quantity	Quantity in package	Net weight [kg]
130222.5L01X.0X1	550 250 100	20	1	6.8
130222.5L02X.0X1	550 250 100	20	1	6.8
130222.5L13X.0X1	550 250 100	20	1	6.8
130222.5L14X.0X1	550 250 100	20	1	6.8
130222.5L04X.0X1	550 250 100	20	1	6.8
130222.5L05X.0X1	550 250 100	20	1	6.8
130222.5L07X.0X1	550 250 100	20	1	6.8
130222.5L08X.0X1	550 250 100	20	1	6.8
130222.5L10X.0X1	550 250 100	20	1	6.8
130222.5L11X.0X1	550 250 100	20	1	6.8



OTHER PICTURES



LIGHT BEAM CURVES



OTHER PROJECTS



Sława, woj. Lubuskie

Al. Zjednoczenia, Zielona Góra

Luminous flux tolerance +/- 10%.